

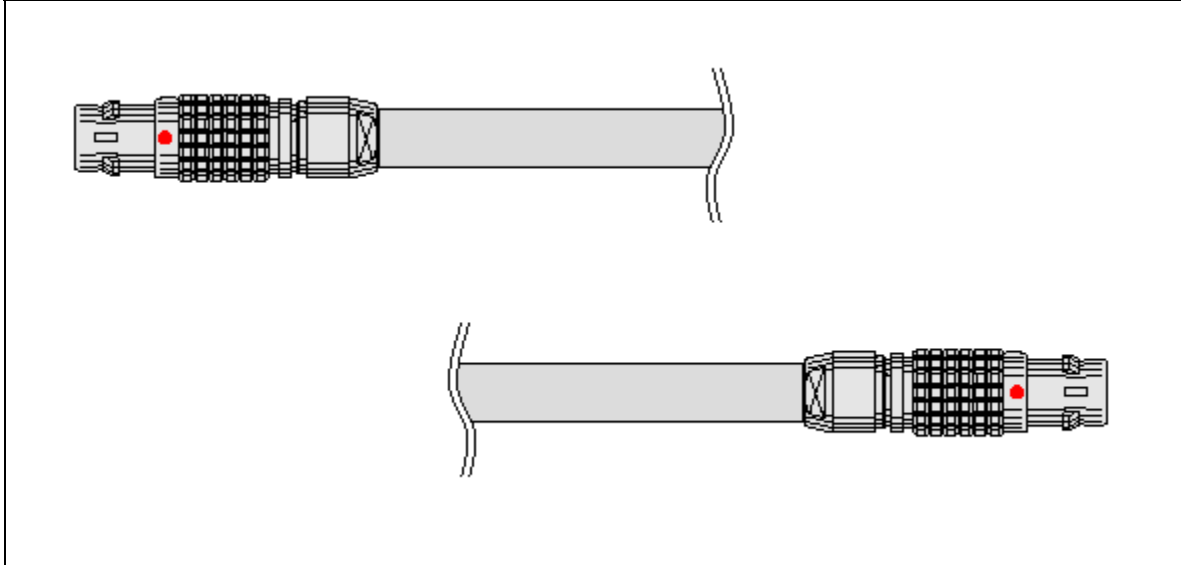
Data Acquisition Products

Description

Lemo 5 Way to Lemo 5 Way 300mm

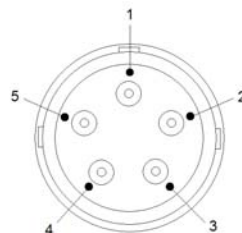
Part Number

RLVBCAB06



5 Way Lemo Pin	Lead length 30cm	5 Way Lemo Pin
1	—————	1
2	—————	2
3	—————	3
4	—————	4
5	—————	5
Chassis	—————	Chassis

Note: For wire function refer to module pin description



5 PIN LEMO PLUG

VIEW FACING PINS

LEMO PART NO. FGG.0B.305 CLAD52Z